

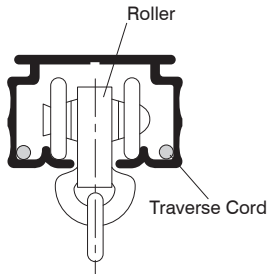
Supertrac



- Rollers assure smooth operation even with heavy curtains.
- Manual, cord draw and motor operation are possible.
- Can also be used for skylights, curved rails.

Supertrac's Unique Features and Applications

Smooth opening and closing with grooves for rollers and Traverse Cords.



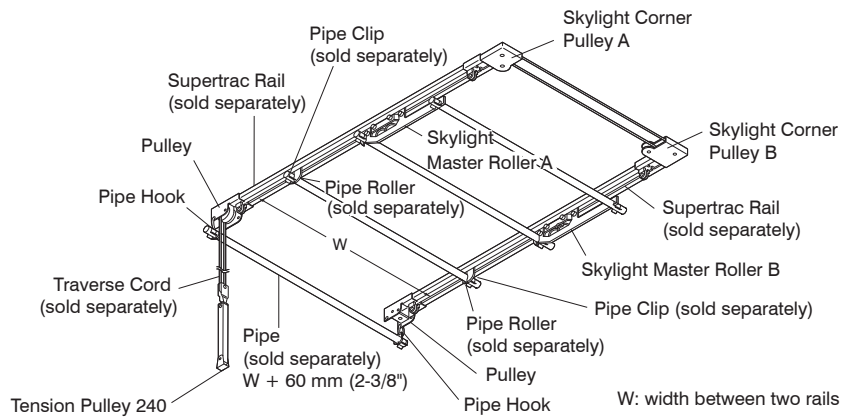
Motor operation using a curtain motor is another choice.

Extremely convenient for use with wide curtains or curtains located in high positions, and for opening and closing heavy curtains.



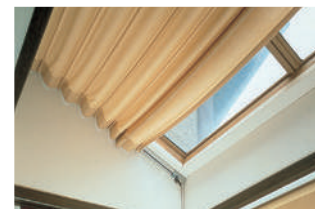
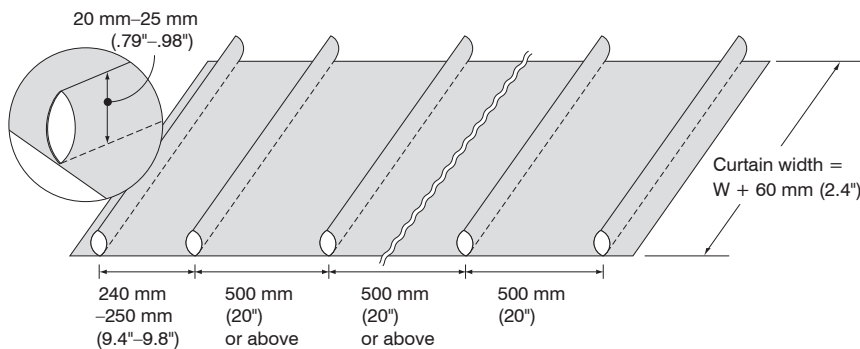
For Skylight

Cord Draw Parts Kit for Skylight



Sewing Method for Skylight Curtains

1. French seams to insert pipes should be 20–25 mm (.79"–.98").
2. Intervals between rollers should be of equal width and over 500 mm (20") except for Skylight Master Rollers (240–250 mm/9.4"–9.8").



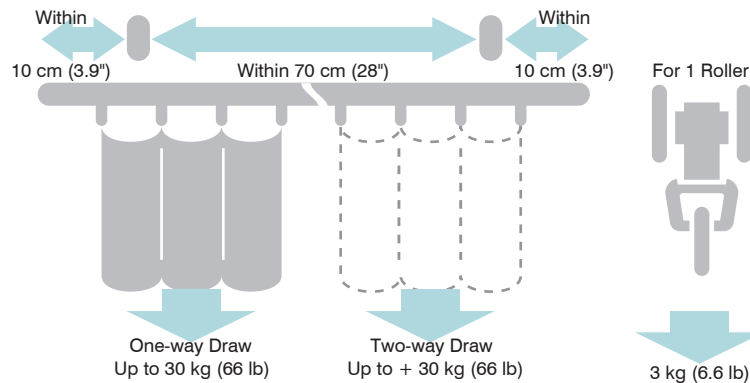
Skylight curtain with Supertrac and Cording Parts Kit for Skylight

Materials and Finishes

Parts		Material	Finish
Rail	White	Aluminum alloy extrusion material	Almite white
	Plate	Polyester	
Roller	Wheel	Polyester elastomer	
	Oval ring	Stainless steel	

Parts		Material	Finish
End Cap	Plate	Steel	Silver alumite
	Spring plate	Bainitic steel	
Bracket	Body	Aluminum	Silver alumite
	Snap board	Steel	

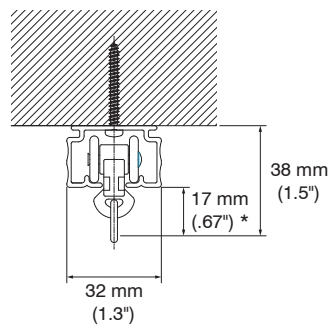
Bracket Installation Interval and Allowable Curtain Load



Installation Dimensions

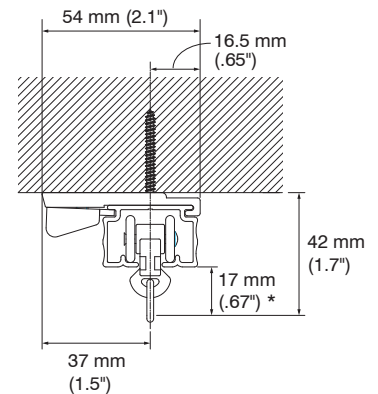
Ceiling Attachment

Direct attachment
(Roller used)



*23 mm (.91") if an OM roller is used.

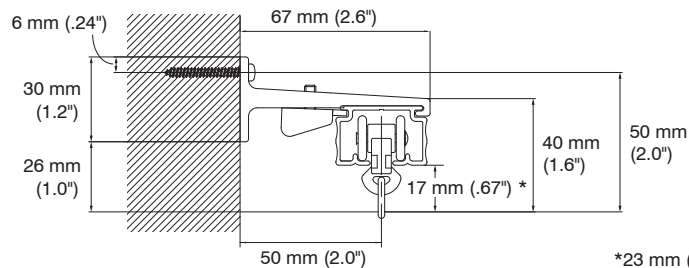
Ceiling Single Bracket
Bracket width = 46 mm (1.8")
(Roller used)



*23 mm (.91") if an OM roller is used.

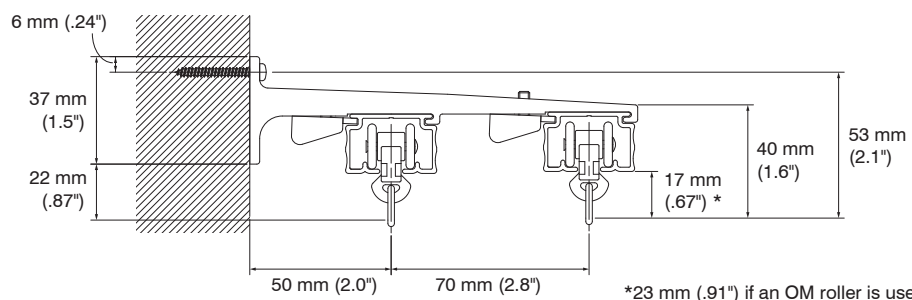
Wall Attachment

Single Bracket A
Bracket width = 20 mm (.79")
(Roller used)



*23 mm (.91") if an OM roller is used.

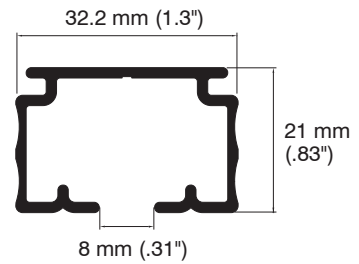
Double Bracket
Bracket width = 24 mm (.94")
(Roller used)



*23 mm (.91") if an OM roller is used.

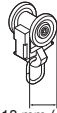
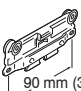
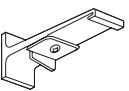
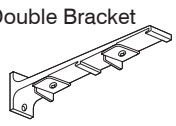
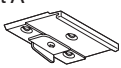
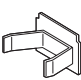
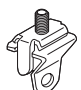
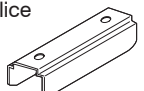
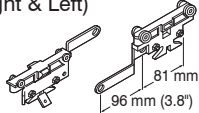
Supertrac Rails

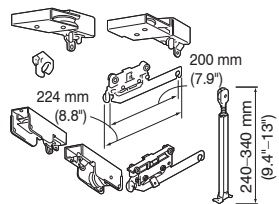



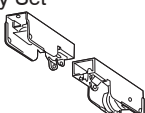
White



Size	Product Code
	White
5.00 m	00240094

Supertrac Parts

	Product Name	Product Code
Rollers	Roller  Allowable load: 3 kg/6.6 lb 18 mm (.71")	00240011
	Pilot Roller (wire)  90 mm (3.5")	00240060
Brackets	Single Bracket A  Silver	00240018
	Double Bracket  Silver	00240014
	Ceiling Single Bracket A  Silver	00240016
End Caps	End Cap  Silver	00240019
	End Stop  Silver	00240020
	Splice  Silver	00240004
	Master Roller for Cord (Right & Left)  81 mm (3.2") 96 mm (3.8")	00240042

	Product Name	Product Code	
Cord Draw Parts	Cord Draw Parts Kit for Skylight  200 mm (7.9") 224 mm (8.8") 240-340 mm (9.4"-13")	00240044	
	Skylight A & B Pulley (1 pair), Skylight Master Roller A & B (1 pair), Tension Pulley 240 (1 pc), Pipe Hook (2 pcs)		
	Skylight Pipe Roller 	00240037	
	Skylight Pipe Clip 	00240046	
	Tension Pulley 240  240 mm-340 mm (9.4"-13")	White	00500005
	Pulley Set 	Silver	00240005